

SPECIFICATIONS

BOX: Cold rolled steel with an electrostatically applied, thermally fused polyester coating with recoatable white finish.

FRAME:

Model 8120-8127: Steel - Cold rolled steel with recoatable white polyester finish.

Model 8140-8147: Aluminum - Clear anodized finish.

Model 8160-8167: Stainless Steel - #304 Stainless steel with #4 finish.

Model 8180-8187: Brass - Polished finish, clear polyester coated.

DOOR:

DOOR is a Full Acrylic Panel.

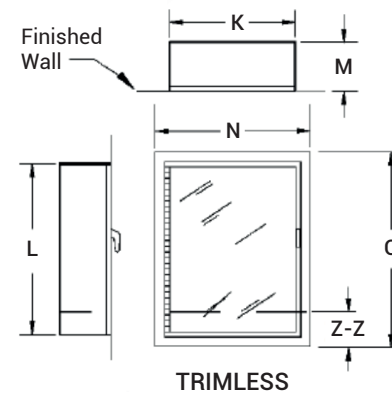
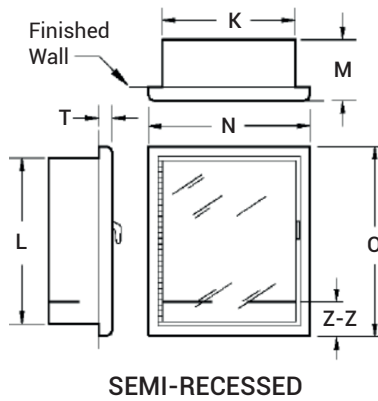
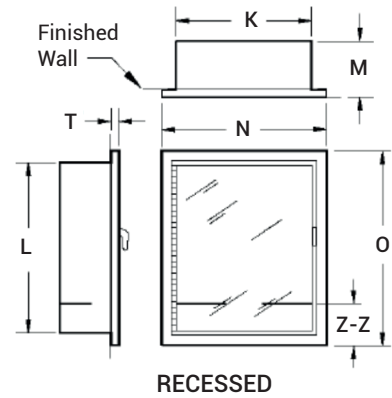
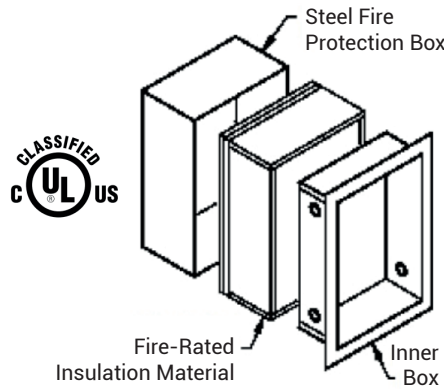
SKU: **FSE-BAV-SR2**

BUENA FIRE VALVE CABINETS - FIRE RATED



■ DIMENSIONS AND APPEARANCE

>> CLICK TO VIEW ADDITIONAL DETAILS AND PRICING <<



For detailed informations see submittal sheet

For a complete list of options visit www.FireSafetyEquipment.com

■ PROJECT DATA

Custom Sizes Available - Fast!

Scan or Click



To view Pricing and Additional Product Info.

PROJECT NAME :	QTY	W	H	OPTIONS
ARCHITECT :				
DEALER :				
CONTRACTOR :				
LOCATION :	SPECIAL INSTRUCTIONS :			
DATE :				
TAGGING INSTRUCTIONS :	SUBMITTAL APPROVAL : (signature or stamp)			

TELEPHONE:
1-888-441-4469
FAX:
1-888-828-6021



PO BOX 7775 PMB 76520,
SAN FRANCISCO,
CALIFORNIA 94120-7775
US



WEBSITE:
www.FireSafetyEquipment.com
E-MAIL:
info@FireSafetyEquipment.com

FSE-BAV-SR2

BUENA FIRE VALVE CABINETS FIRE RATED UL CLASSIFIED

MODEL SELECTION:

STEEL

- FRC8120 Recessed
- FRC8121 Trimless
- FRC8122 Semi-Recessed
- FRC8125 Recessed
- FRC8126 Trimless
- FRC8127 Semi-Recessed

ALUMINUM

- FRC8140 Recessed
- FRC8141 Trimless
- FRC8142 Semi-Recessed
- FRC8145 Recessed
- FRC8146 Trimless
- FRC8147 Semi-Recessed

MODEL SELECTION (cont):

STAINLESS STEEL

- FRC8160 Recessed
- FRC8161 Trimless
- FRC8162 Semi-Recessed
- FRC8165 Recessed
- FRC8166 Trimless
- FRC8167 Semi-Recessed

BRASS

- FRC8180 Recessed
- FRC8181 Trimless
- FRC8182 Semi-Recessed
- FRC8185 Recessed
- FRC8186 Trimless
- FRC8187 Semi-Recessed

PRODUCT OPTIONS

DOOR STYLES:

- A - Full Acrylic Door w/ Magnetic Catch
- E - Full Acrylic Door w/ Scored Insert & Cylinder Lock

1/4" ACRYLIC DOOR COLOR:

- 16 - Clear
- 17 - Bronze
- 18 - White
- 19 - Smoke
- 20 - Red

FRAME FINISHES:

- STEEL - Any polyester paint color, if available; Provide mfg. name and color number
- ALUMINUM - Light, Medium or Dark duranodic
- STAINLESS STEEL - Number 304 Stainless, with #8 mirror finish
- BRONZE - U.S. # 10 Satin finish with clear coating, or dark oxidized, oil rubbed; specify
- RED - For Red Polyester Finish, Add This Suffix
- RR - For Rolled Radius Return, Add This Suffix
- CUSTOM - _____

PRODUCT OPTIONS (cont):


FIRE EXTINGUISHER LETTERING:

- HW - Horizontal White
- HB - Horizontal Black
- HR - Horizontal Red
- VW - Vertical White
- VB - Vertical Black
- VR - Vertical Red
- VAW - Vertical Ascending White
- VAB - Vertical Ascending Black
- VAR - Vertical Ascending Red

FIRE DEPT. VALVE LETTERING:

- WH - White
- BH - Black
- RH - Red

MODEL DIMENSIONS:

Model No.				Wall Mounting	Inside Box Dimensions			Overall Frame		Wall Opening Required			Trim	Shelf	For Use With	ADA 
Steel	Alu-minum	Stainless Steel	Brass		K	L	M	N	O	W I D T H	H E I G H T	D E P T H	T	Z-Z		
FRC8120	FRC8140	FRC8160	FRC8180	RECESSED	18	18	8	21-3/4	21-3/4	20-1/4	20	9-3/4	5/8	-	2-1/2" Angle Valves	YES
FRC8121	FRC8141	FRC8161	FRC8181	TRIMLESS	18	18	8-3/4	21	21	20-1/4	20	10-1/2	-	-		YES
FRC8122	FRC8142	FRC8162	FRC8182	SEMI-RECESSED	18	18	8	21-1/2	21-1/2	20-1/4	20	7-3/4	2	-		YES
FRC8125	FRC8145	FRC8165	FRC8185	RECESSED	14	40	8	17-3/4	43-3/4	16-1/4	42	9-3/4	5/8	12	Up to 20lb. Dry Chem Fire Ext. & 2-1/2" Angle Valves	NO
FRC8126	FRC8146	FRC8166	FRC8186	TRIMLESS	14	40	8-3/4	17	43	16-1/4	42	10-1/2	-	12		YES
FRC8127	FRC8147	FRC8167	FRC8187	SEMI-RECESSED	14	40	8	17-3/4	43-1/2	16-1/4	42	7-3/4	2	12		YES

ALL DIMENSIONS ARE IN INCHES UNLESS OTHERWISE NOTED