

## SPECIFICATIONS

**BOX:** Cold rolled steel with an electrostatically applied, thermally-fused polyester coating with recoatable white finish, and a concealed hinge.

### DOOR AND FRAME:

Model FRC7210-FRC7225:  
Steel - Cold rolled steel with recoatable white polyester finish.

Model FRC7230-FRC7245:  
Aluminum - Clear anodized finish

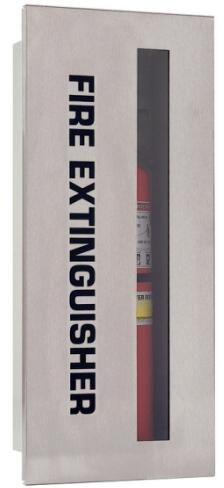
Model FRC7250-FRC7265:  
Stainless Steel - #304 Stainless steel with #4 finish

Model FRC7270-FRC7285:  
Brass - Polished finish, clear polyester coated

SKU: **FSE-DANA**

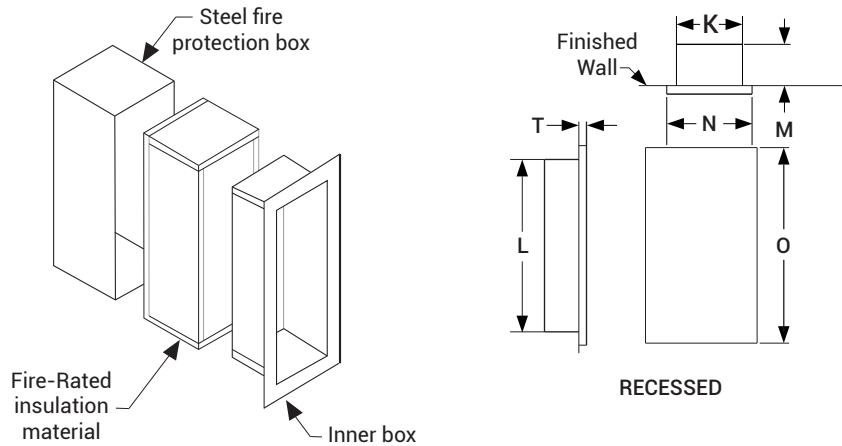
## DANA FIRE EXTINGUISHER CABINETS

FIRE RATED UL CLASSIFIED



## DIMENSIONS AND APPEARANCE

>> CLICK TO VIEW ADDITIONAL DETAILS AND PRICING <<



MODEL SELECTION	
<b>STEEL</b> • FRC7210 Recessed • FRC7220 Recessed • FRC7225 Recessed	<b>STAINLESS STEEL</b> • FRC7250 Recessed • FRC7260 Recessed • FRC7265 Recessed
<b>ALUMINUM</b> • FRC7230 Recessed • FRC7240 Recessed • FRC7245 Recessed	<b>BRASS</b> • FRC7270 Recessed • FRC7280 Recessed • FRC7285 Recessed

For detailed informations see submittal sheet

For a complete list of options visit [www.FireSafetyEquipment.com](http://www.FireSafetyEquipment.com)

## PROJECT DATA

Custom Sizes Available - Fast!

Scan or Click



To view Pricing and Additional Product Info.

PROJECT NAME :	QTY	W	H	OPTIONS
ARCHITECT :				
DEALER :				
CONTRACTOR :				
LOCATION :	SPECIAL INSTRUCTIONS :			
DATE :				
TAGGING INSTRUCTIONS :	SUBMITTAL APPROVAL : (signature or stamp)			

TELEPHONE:  
1-888-441-4469  
FAX:  
1-888-828-6021



PO BOX 7775 PMB 76520,  
SAN FRANCISCO,  
CALIFORNIA 94120-7775  
US



WEBSITE:  
[www.FireSafetyEquipment.com](http://www.FireSafetyEquipment.com)


E-MAIL:  
[info@FireSafetyEquipment.com](mailto:info@FireSafetyEquipment.com)



# FSE-DANA

# FIRE RATED DANA FIRE EXTINGUISHER CABINETS

**MODEL DIMENSIONS:**

Model No.				Wall Mounting	Inside Box Dimensions			Overall Frame		Wall Opening Required			Trim	For Use With These Extinguishers	ADA 
Steel	Aluminum	Stainless Steel	Brass		K	L	M	N	O	W I D T H	H E I G H T	D E P T H			
FRC7210	FRC7230	FRC7250	FRC7270	RECESSED	9	18	5-3/4	11-3/4	20-3/4	CALL			5/8	3002, 3005, 3005-3, 3302, 3305, 3305-3	YES
FRC7220	FRC7240	FRC7260	FRC7280	RECESSED	9	24	5-3/4	11-3/4	26-3/4	CALL			5/8	3002, 3005, 3005-3, 3006, 3010, 3302, 3305, 3305-3, 3306, 3310, 3405	YES
FRC7225	FRC7245	FRC7265	FRC7285	RECESSED	12	27	8	14-3/4	29-3/4	CALL			5/8	3002, 3005, 3005-3, 3006, 3010, 3302, 3305, 3005-3, 3306, 3310, 3405	YES

ALL DIMENSIONS ARE IN INCHES UNLESS OTHERWISE NOTED

**PRODUCT OPTIONS**

**DOOR STYLE:**

- DV - Duo-Vertical Panel with Tempered Safety Glass
- DVL - Duo-Vertical Panel with Lock, TSG & Break Rite® Handle
- F - Solid Flush Metal
- FS - Solid Flush Metal with lock

**\*\*NOTE: ALL GLASS DOOR STYLES PROVIDED WITH CLEAR TEMPERED SAFETY GLASS IN COMPLIANCE WITH ANSI Z97-1-1984**

**GLAZING MATERIAL:**

- 1 - TS Bronze Tempered Safety Glass
- 2 - TS Smoke Tempered Safety Glass
- 4 - TS Obscure Tempered Safety Glass
- 5 - 1/4" Wire Inserted Glass
- 6 - 1/8" Clear Acrylic
- 7 - 1/8" Bronze Acrylic
- 8 - 1/8" White Acrylic
- 9 - 1/8" Smoke Acrylic
- 10 - 1/8" Red Acrylic

**PRODUCT OPTIONS (cont):**

**DOOR AND FRAME FINISHES:**

- STEEL - Any polyester paint color, if available; Provide mfg. name and color number
- ALUMINUM - Light, Medium or Dark duranodic
- STAINLESS STEEL - Number 304 Stainless, with #8 mirror finish.
- BRONZE - U.S. # 10 Satin finish with clear coating, or dark oxidized, oil rubbed; specify
- RED - For Red Polyester Finish, Add This Suffix
- RR - For Rolled Radius Return, Add This Suffix
- CUSTOM - \_\_\_\_\_

**FIRE EXTINGUISHER LETTERING:**

- HW - Horizontal White
- HB - Horizontal Black
- HR - Horizontal Red
- VW - Vertical White
- VB - Vertical Black
- VR - Vertical Red
- VAW - Vertical Ascending White
- VAB - Vertical Ascending Black
- VAR - Vertical Ascending Red