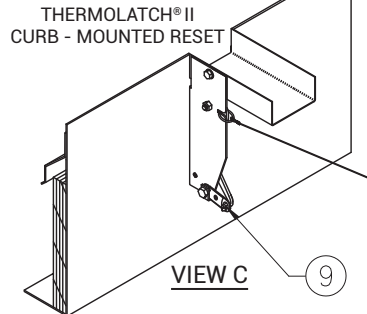
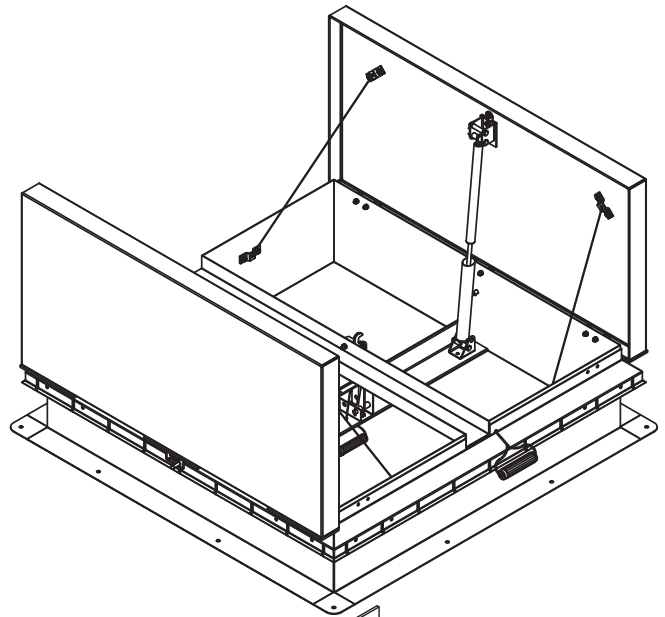
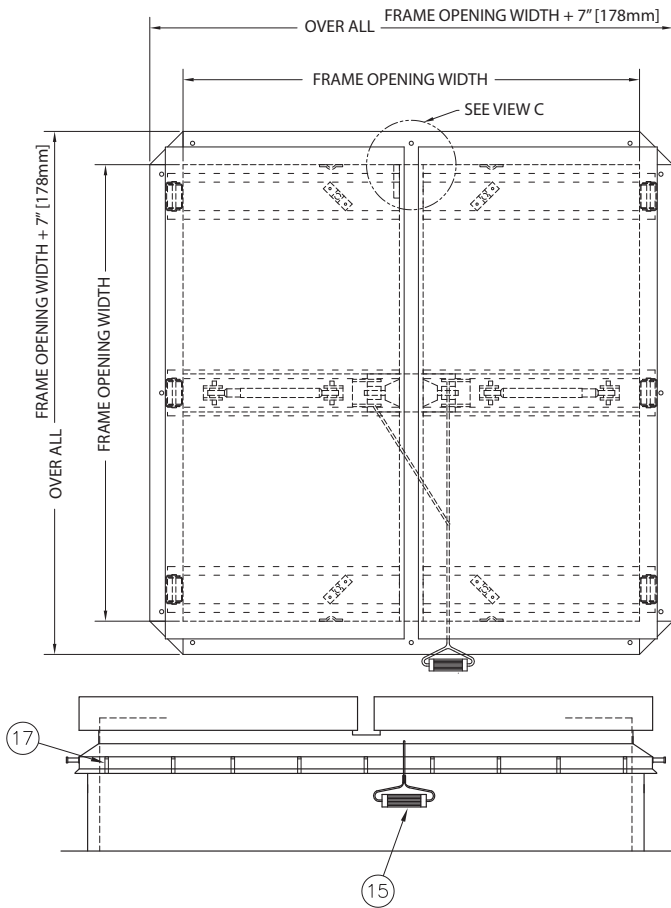




FSE-DSH-AL

ALUMINUM AUTOMATIC DOUBLE LEAF SMOKE VENT



NOTE:
1. COVERS SHALL OPEN AGAINST 10 PSF (49KG/M²) SNOW/WIND LOAD
2. VENT ASSEMBLY RATED FOR 40 PSF (195KG/M²) LIVE LOAD
3. COVERS WILL REMAIN CLOSED UNDER 90 PSF (438KG/M²) WIND UPLIFT FORCE

1. THERMOLATCH MECHANISM - COVERS WILL OPERATE ONLY WHEN ACTIVATED
A. MANUALLY
B. BY HEAT AT 1650 FUSIBLE LINK
2. MANUFACTURER TO PROVIDE LABEL WITH INSTRUCTIONS TO RESET LATCH ON INTERIOR OF FRAME

