

SUBMITTAL/TECHNICAL DATA SHEET



SPECIFICATIONS

01. Hold open/self closing pneumatic cylinder
02. 1/4 Aluminum plate cover (Cover reinf. for 150 lbs per sq. foot live load)
03. 1/4" Aluminum channel with extruded 1" anchor flange
04. Stainless steel 3" piano hinge
05. Terrazzo reinfo. wire mesh (2"x1"x.063Ga.)
06. Slam lock with cable and pull handle
07. Removable square key wrench
08. Lifting mechanism with reinforced composite tubes and compression springs
09. Removable cover plug
10. Release mechanism with 165° fusible link and 16 gram co2 cartridge (Extra link provided)
11. Guide arm (If req'd)

SHOP FINISH:

ALUMINUM: Mill finish

HARDWARE: Zinc plated and chromate sealed (Unless otherwise Specified)

Reinforced for 150lbs per sq. ft. (732 KG. per Sq. meter) live load

INSTALLER NOTES

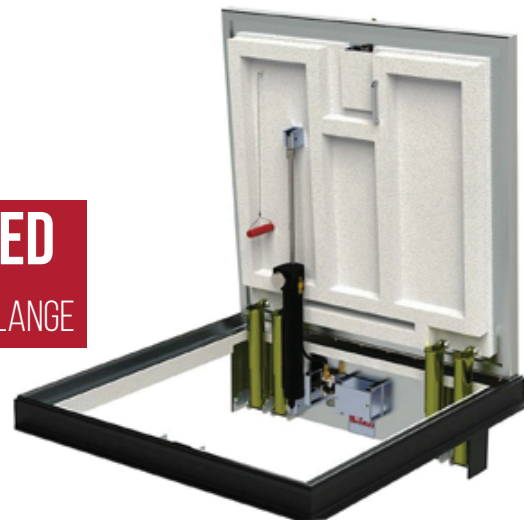
- A. Use caution, cover is spring loaded. Do not remove safety shipping bolt until unit is to be installed and in normal horizontal operating position.
- B. Before anchoring in place open and close door. Check to see that the door in the closed position rests on the frame all around. If not, shim under the frame at the proper corner.
- C. See installation procedure shipped with door.

For a complete list of options visit www.FireSafetyEquipment.com

QTY	TYPE	SIZE (INCHES) WIDTH X LENGTH
	FR-2	2'-6" x 2'-6" [762mm] x [762mm]
	FR-3	3'-0" x 2'-6" [914mm] x [762mm]
	FR-4	3'-0" x 3'-0" [914mm] x [914mm]
	FR-5	3'-6" x 3'-6" [1065mm] x [1065mm]
	FR-6	2'-6" x 4'-0" [762mm] x [1219mm]

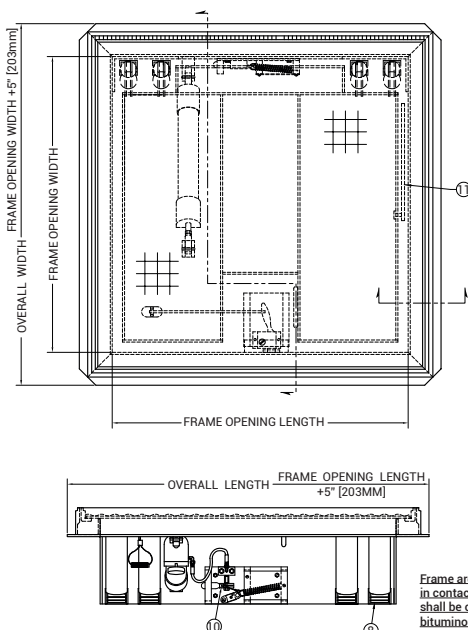
SKU: **FSE-FR**

FIRE RATED UN-INSULATED ACCESS DOOR - WITH PLASTER FLANGE



DIMENSIONS AND APPEARANCE

>> CLICK TO VIEW ADDITIONAL DETAILS AND PRICING <<



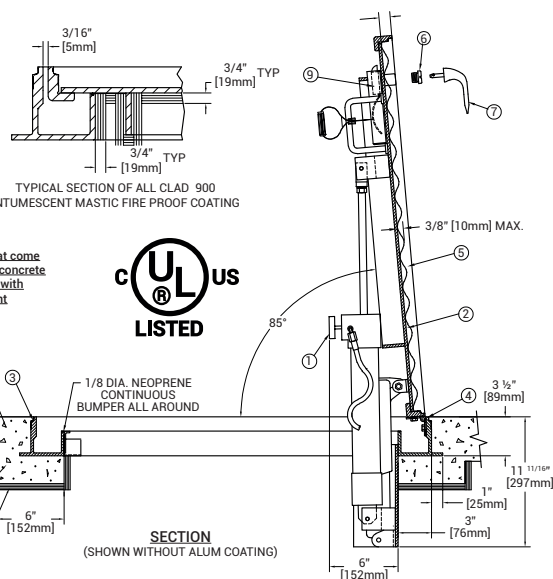
Frame areas that come in contact with concrete shall be coated with bituminous paint

NOTES:

Type FR doors are designed with a 1" [25mm] pan cover to Accept a variety of flooring materials. Sizes are limited & dependent upon weight of fill material, consult factory.

Frame must be embedded in a 6" x 6" (minimum) concrete collar all around to retain 2hr U.L. Listing 9/16" intumescent coating all around typical (supplied by Bilco) applied by others in the Field. See section.

FOR DETAILS SEE THE SECOND PAGE



NOTES:

For dry interior installation only. Unit must be protected from moisture prior to installation. If exposure to exterior conditions, moisture and/or High humidity is anticipated, consult factory.

PROJECT DATA

Custom Sizes Available - Fast!

PROJECT NAME :	QTY	W	H	OPTIONS
ARCHITECT :				
DEALER :				
CONTRACTOR :				
LOCATION :	SPECIAL INSTRUCTIONS :			
DATE :				
TAGGING INSTRUCTIONS :	SUBMITTAL APPROVAL : (signature or stamp)			

Scan or Click



To view Pricing and Additional Product Info.



TELEPHONE:
1-888-441-4469
FAX:
1-888-828-6021



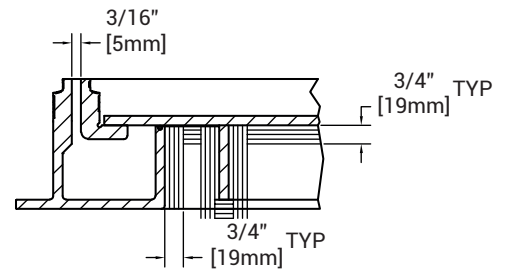
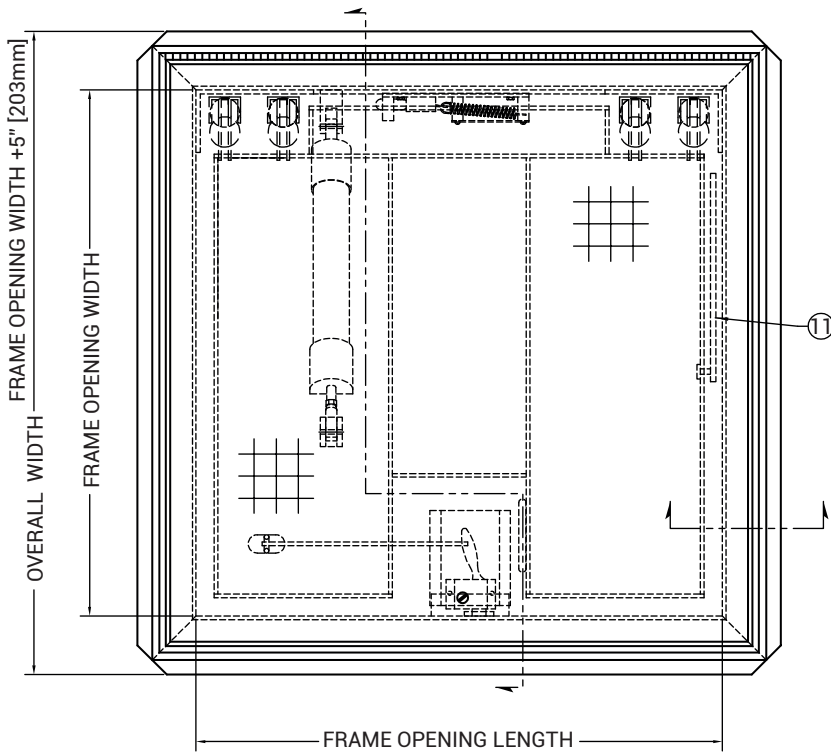
PO BOX 7775 PMB 76520,
SAN FRANCISCO,
CALIFORNIA 94120-7775
US



WEBSITE:
www.FireSafetyEquipment.com
E-MAIL:
info@FireSafetyEquipment.com



FSE-FR FIRE RATED SINGLE LEAF ACCESS DOOR - TYPR FR

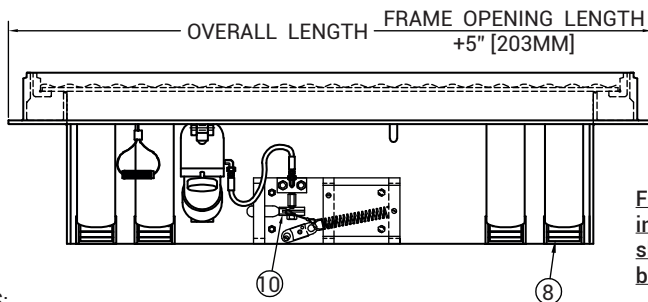


TYPICAL SECTION OF ALL CLAD 900 INTUMESCENT MASTIC FIRE PROOF COATING

NOTES:

Type FR doors are designed with a 1" [25mm] pan cover to Accept a variety of flooring materials. Sizes are limited & dependent upon weight of fill material, consult factory.

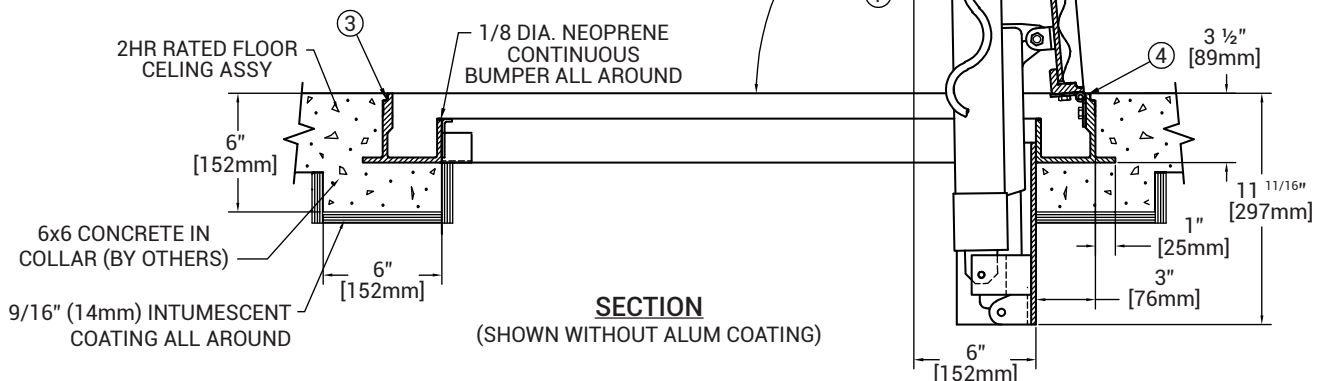
Frame must be embedded in a 6" x 6" (minimum) concrete collar all around to retain 2hr U.L. Listing 9/16" intumescent coating all around typical (supplied by Bilco) applied by others in the Field. See section.



Frame areas that come in contact with concrete shall be coated with bituminous paint

NOTES:

FOR DRY INTERIOR INSTALLATION ONLY. UNIT MUST BE PROTECTED FROM MOISTURE PRIOR TO INSTALLATION IF EXPOSURE TO EXTERIOR CONDITIONS, MOISTURE AND/OR HIGH HUMIDITY IS ANTICIPATED, CONSULT FACTORY.



SECTION (SHOWN WITHOUT ALUM COATING)