



SUBMITTAL/TECHNICAL DATA SHEET

DESCRIPTIONS

An Attractive Bubble Cabinet in 4 Trim Styles From Fully-Recessed to Surface Mount - Brought to You in 5 Finishes: Steel, Stainless Steel, Aluminum, Brass or Bronze.

SPECIFICATIONS

DOOR AND TRIM CONSTRUCTION: US10 satin bronze, US3 polished brass, clear anodized aluminum, #4 stainless steel or CRS with white powder coat finish. Flush cabinet doors with a 5/8" door stop are attached by a continuous hinge and equipped with zinc-plated handle and roller catch.

BUBBLE: Acrylic bubble allows 180° extinguisher visibility. 2½" projection for 1500 series, 3½" projection for 2500 and 4500 series.

DOOR: 2" thick, insulated 20 gauge steel with continuous hinge.

TRIM STYLE AND DEPTH: Recessed - 3/8" flat trim, Semi-Recessed - 1¼", 1½" Square Edge or 2½", 3", Rolled Edge. Surface-mount has a square edge or optional rolled edge for steel or stainless steel upon request. All models have 1¼" wide trim on frame and 1¼" trim on doors.

TUB: Constructed of cold rolled steel with white powder-coat finish standard.

FIRE-RATING: Fire-G25™ cabinets are UL listed and labeled as an approved membrane penetration firestop system for up to 2 hours in accordance with UL 1479 (ASTM-E814) and CAN/ULC-S115, when properly installed in a wall assembly according to installation instructions.



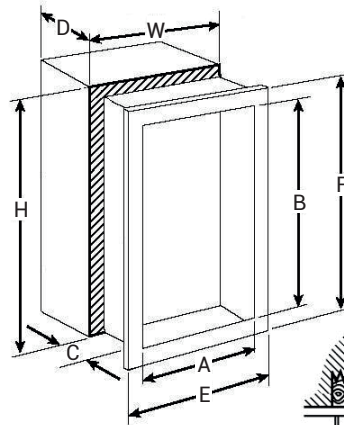
SKU: **FSE-JLCL**

FIRE EXTINGUISHER CABINETS



DIMENSIONS AND APPEARANCE

>> CLICK TO VIEW ADDITIONAL DETAILS AND PRICING <<



1555F27



2515F25



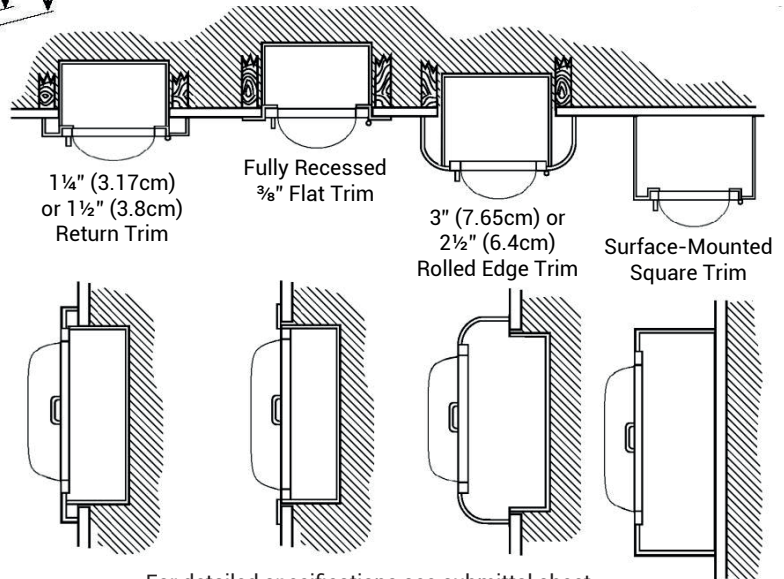
1513F25



1536F25



1525G26



2527G25

For detailed specifications see submittal sheet

For a complete list of options visit www.FireSafetyEquipment.com

PROJECT DATA

Custom Sizes Available - Fast!

PROJECT NAME :	QTY	W	H	OPTIONS
ARCHITECT :				
DEALER :				
CONTRACTOR :				
LOCATION :	SPECIAL INSTRUCTIONS :			
DATE :				
TAGGING INSTRUCTIONS :	SUBMITTAL APPROVAL : (signature or stamp)			

TELEPHONE:
1-888-441-4469
FAX:
1-888-828-6021



PO BOX 7775 PMB 76520,
SAN FRANCISCO,
CALIFORNIA 94120-7775
US



WEBSITE:
www.FireSafetyEquipment.com
E-MAIL:
info@FireSafetyEquipment.com

Scan or Click



To view Pricing and Additional Product Info.



SUBMITTAL

TELEPHONE:
1-888-441-4469
FAX:
1-888-828-6021

PO BOX 7775 PMB 76520,
SAN FRANCISCO,
CALIFORNIA 94120-7775
US

WEBSITE:
www.FireSafetyEquipment.com
E-MAIL:
info@FireSafetyEquipment.com

FSE-JLCL CLEAR VU - FIRE EXTINGUISHER CABINET

Door and Material and Series						Tub ID			Frame OD		Wall Opening Non Rated			Accommodates Following Extinguishers Mounted on the Tub
Steel	Aluminum	Stainless Steel	Bronze	Brass	Trim Style	A	B	C	E	F				
1515	1525	1535	1545	1555	Flat trim	10 1/2"	24"	4"	13 7/8"	27 3/8"	11 1/2"	25"	3 7/8"	Cosmic & Galaxy 2.5-10, Mercury 2.5-5, Sentinel 5
1516	1526	1536	1546	1556	1 1/2" Square	10 1/2"	24"	4"	13 7/8"	27 3/8"	11 1/2"	25"	2 5/8"	
1517	1527	1537	1547	1557	3" Rolled	10 1/2"	24"	4"	13 7/8"	27 3/8"	11 1/2"	25"	1 1/8"	Cosmic & Galaxy 2.5-10, Cosmic FE20A, Mercury 2.5-15 (FM11A & FM15A), Sentinel 5, Saturn 15 & 25, Grenadier P
1513	1523	1533	1543	1553	Surface Mounted	13 11/16"	27 3/16"	4 5/8"	13 7/8"	27 3/8"	-	-	-	
2515	2525	2535	2545	2555	Flat trim	14"	30"	4"	17 3/8"	33 3/8"	15"	31"	3 7/8"	
2516	2526	2536	2546	2556	1 1/4" Square	14"	30"	4"	17 3/8"	33 3/8"	15"	31"	2 7/8"	
2517	*2527	2537	-	-	2 1/2" Rolled *	14"	30"	4"	17 3/8"	33 3/8"	15"	31"	*1 5/8"	2 Each of Cosmic & Galaxy 2.5-10, Cosmic FE20A, Mercury 2.5-15 (FM11A & FM15A), Sentinel 5, Saturn 15 & 25, Grenadier P
2513	2523	2533	2543	2553	Surface Mounted	17 3/16"	33 3/16"	4 5/8"	17 3/8"	33 3/8"	-	-	-	
4515	4525	4535	-	-	Flat Trim Double Door	28"	30"	4"	31 3/8"	33 3/8"	29"	31"	3 7/8"	
4513	4523	4533	-	-	Surf. Mtd. Double Door	31 3/16"	33 3/16"	4 5/8"	31 3/8"	33 3/8"	-	-	-	

*Add 5/8" to wall depth for a cabinet with an aluminum frame.

Models indicated in blue project 4" or less and meet ADA standards.

SELECT 1 DOOR STYLE F OR G & 1 GLAZING STYLE

- F - Full Acrylic Glazing
- G - Full Acrylic Glazing & Saf-t-Lok™
- 25 - Clear Acrylic Bubble
- 26 - Red Acrylic Bubble for 15xx Models Only
- 27 - Bronze Acrylic Bubble

OPTIONAL FEATURES AT ADDED COST (SELECT ANY)

- Black Vertical FE Letters LDCVBFE
- Red Vertical FE Letters LDCVRFE
- White Vertical FE Letters LDCVWFE
- Futura Embossed "Fire" Handle in-
 - - Mill
 - - White
 - - Red
- Stainless Steel Tub #4 Satin Finish (Stainless Models)
- Aluminum Tub for Alum Cabinets with Mill finish (Non-Rated Use)
- Custom Stainless Finishes # 6, #7, #8
- Bronze:
 - - US9 Bright Polished,
 - - US10B Oil-rubbed Finishes
- Brass: US4 Satin Brass Finish
- Dark Bronze Anodized Aluminum Finish (pull to match) Pt # changes from "2" to "9"
- Commander Alarm CA
- Optional Color Door/Trim/Tub