



SUBMITTAL/TECHNICAL DATA SHEET

DESCRIPTIONS

Crownline Cabinets Provide A Wide Selection of Door Styles, Glazing and Sizes. These Durable Cabinets are Designed to Industry Standards for Fire Department Valves, Fire Hose Rack Units and Extinguishers.

SPECIFICATIONS

DOOR AND TRIM:

#4 Brushed finish stainless steel. 1-3/4" Trim on face and door. These flush cabinet doors are mounted in a 5/8" door stop, are attached by a continuous hinge, and are equipped with zinc-plated handle and roller catch for all non-locking doors. Theft-deterrent SAF-T-LOK™ also available

TRIM STYLE AND DEPTH: 1-3/4" face trim on frame and 1-1/4" trim on door. Recessed - 3/8" flat trim. Semi-recessed - 1-1/4" Square Edge or 2-1/2" Rolled Edge. Surface mounted - Rolled edge. See separate submittal for trimless models.

TUB: CRS, white powder-coat finish standard. Surface-mounted tubs are of the same material as the door and trim.

KNOCKOUTS:

K.O.'s are provided on both sides of the cabinet. K.O.'s on left side will be located using "J" dimension, K.O.'s on right side using "K" dimension and may be offset from K.O.'s on "J" side of cabinet. Models 6037 & 6237 - Specify knockout location. Provided on surface mounted cabinets by request. Custom location K.O.'s available. See Page 2 for Drawing of K.O. locations. Not provided with stainless tub option.

FIRE-RATED OPTION AVAILABLE: Yes.

For a complete list of options visit www.FireSafetyEquipment.com

Scan or Click



To view Pricing and Additional Product Info.

SKU: **FSE-JLCR-1SQ**

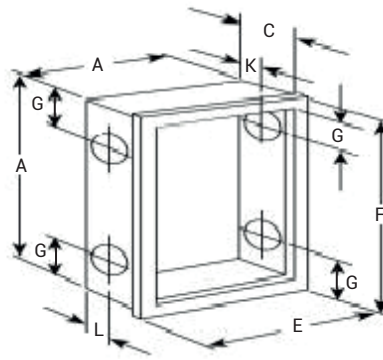
CROWNLINE VALVE AND HOSE CABINETS

STAINLESS STEEL

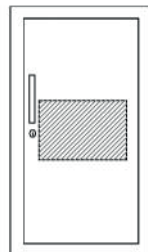


DIMENSIONS AND APPEARANCE

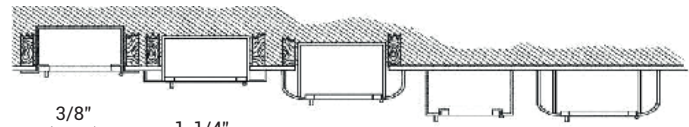
>> CLICK TO VIEW ADDITIONAL DETAILS AND PRICING <<



Cabinets 4" or less Projection in Blue



A - Horizontal duo panel with pull and Saf-T-Lok



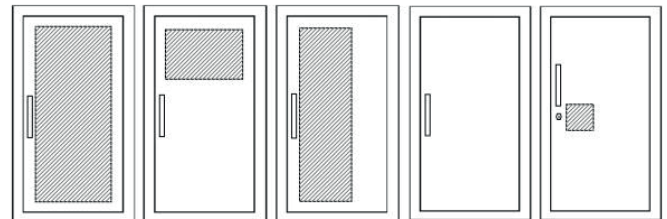
3/8" (9cm) Flat Trim

1-1/4" (3.8cm) Square Trim

2-1/2" (6.4cm) Rolled Edge

Surface Mount Square Trim

Surface Mount optional Rolled Edge



F - Full glass with pull
G - Full glass with pull handle and Saf-T-Lok (Not Shown)

D - Horizontal duo panel with pull
E - Horizontal duo panel with pull and Saf-T Lok. (Not Shown)

V - Vertical duo panel with pull
W - Vertical duo panel with pull and Saf-T Lok. (Not Shown)

S21 - Solid with pull
L22 - Solid with pull and Saf-T-Lok
L24 - Solid with cylinder key lock/no pull (L22, 24 not shown)

B10 - Acrylic view window with pull, and Saf-T-Lok

For detailed specifications see submittal sheet

Special Features: Models 8035, 8036, 8037 & 8039 have a shelf 12" from the bottom of the cabinet and are designed to hold a fire extinguisher plus FD valve or other accessory. Those models can be ordered without shelf to allow for lower mounting height of valve piping to meet NFPA14.

ADA Cabinet Mounting Height: Standard Pull on G, E, W, A, L22 and B Door Styles with Saf-T-Lok are 3 5/8" Higher than Door Center, so Allow for that When Mounting Cabinet. Standard Pull with No Lock or ADA Recessed Pull are Centered on Door.

PROJECT DATA

Custom Sizes Available - Fast!

PROJECT NAME :	QTY	W	H	OPTIONS
ARCHITECT :				
DEALER :				
CONTRACTOR :				
LOCATION :	SPECIAL INSTRUCTIONS :			
DATE :				
TAGGING INSTRUCTIONS :	SUBMITTAL APPROVAL : (signature or stamp)			

TELEPHONE:
1-888-441-4469
FAX:
1-888-828-6021



PO BOX 7775 PMB 76520,
SAN FRANCISCO,
CALIFORNIA 94120-7775
US



WEBSITE:
www.FireSafetyEquipment.com

E-MAIL:
info@FireSafetyEquipment.com



SUBMITTAL

TELEPHONE:
1-888-441-4469
FAX:
1-888-828-6021

PO BOX 7775 PMB 76520,
SAN FRANCISCO,
CALIFORNIA 94120-7775
US

WEBSITE:
www.FireSafetyEquipment.com
E-MAIL:
info@FireSafetyEquipment.com

FSE-JLCR-1SQ

CROWNLINE VALVE AND HOSE CABINETS - STAINLESS STEEL

TRIM & DOOR MATERIAL & SERIES		TUB I.D. W x H x D in Inches			FRAME O.D.		RECESSED WALL OPENING			KNOCKOUT LOCATIONS			RECOMMENDED HOSE RACK, FIRE DEPARTMENT VALVES & EXTINGUISHERS
MODEL	TRIM STYLE	A	B	C	E	F	WIDTH	HEIGHT	DEPTH	J	G	K	
Cabinets with Hose Rack and Extinguisher or Fire Department Valve													
6035	Flat Trim 3/8"	24	30	6	27 3/8	33 3/8	25	31	5 7/8	2 1/2	4	2 1/2	HOSE RACK: 1-1/2" x 1-1/2" Hose Rack Unit - 50 or 75' Hose (HRA050B,HRA050CH, HRA075B, HRA075CH) & Cosmic 2.5 or Galaxy 2.5-5lb Extinguisher
6036	1-1/4" Square Edge	24	30	6	27 3/8	33 3/8	25	31	4 7/8	2 1/2	4	2 1/2	
6037	2 1/2" Rolled Edge	24	30	6	27 3/8	33 3/8	25	31	3 5/8	Specify When Ordering			
6039	Surface Mounted	27 3/16	33 3/16	6 1/2	27 3/8	33 3/8	-	-	-	Upon Request			HOSE RACK: 1- 1/2" x 1-1/2" Hose Rack Unit -100' Hose (HRA100B OR HRA100CH) & Cosmic 2.5 or Galaxy 2.5-5 lb Extinguisher
6235	Flat Trim 3/8"	24	34 3/4	6	27 3/8	38 1/8	25	35 3/4	3	2 1/2	4	2 1/2	
6236	1-1/4" Square Edge	24	34 3/4	6	27 3/8	38 1/8	25	35 3/4	5 7/8	2 1/2	4	2 1/2	
6237	2 1/2" Rolled Edge	24	34 3/4	6	27 3/8	38 1/8	25	35 3/4	4 7/8	Specify When Ordering			
6239	Surface Mounted	27 3/16	37 15/16	6 1/2	27 3/8	38 1/8	-	-	-	Upon Request			HOSE RACK: 2-1/2" x 1-1/2" Hose Rack Unit - 50 or 75' Hose (H4A050B-2.5 OR HRA075B-2.5)
6135	Flat Trim 3/8"	24	30	8	27 3/8	33 3/8	25	31	7 7/8	4	4	2 1/2	
6136	1 1/4" Square Edge	24	30	8	27 3/8	33 3/8	25	31	6 7/8	4	4	2 1/2	
6137	2 1/2" Rolled Edge	24	30	8	27 3/8	33 3/8	25	31	5 5/8	4	4	2 1/2	Upon Request
6139	Surface Mounted	27 3/16	33 3/16	8 1/2	27 3/8	33 3/8	-	-	-	Upon Request			
6435	Flat Trim 3/8"	24	34 3/4	8	27 3/8	38 1/8	25	35 3/4	7 7/8	4	4	2 1/2	
6436	1 1/4" Square Edge	24	34 3/4	8	27 3/8	38 1/8	25	35 3/4	6 7/8	4	4	2 1/2	HOSE RACK: 2-1/2" x 1-1/2" Hose Rack Unit - 100' Hose (HRA100B-2.5)
6437	2 1/2" Rolled Edge	24	34 3/4	8	27 3/8	38 1/8	25	35 3/4	5 5/8	4	4	2 1/2	
6439	Surface Mounted	27 3/16	37 15/16	8 1/2	27 3/8	38 1/8	-	-	-	Upon Request			
6635	Flat Trim 3/8"	24	38 3/4	8	27 3/8	42 1/8	25	39 3/4	7 7/8	4	4	2 1/2	HOSE RACK: 2-1/2" x 1-1/2" Hose Rack Unit - 125' Hose (HRA125B-2.5)
6636	1 1/4" Square Edge	24	38 3/4	8	27 3/8	42 1/8	25	39 3/4	6 7/8	4	4	2 1/2	
6637	2 1/2" Rolled Edge	24	38 3/4	8	27 3/8	42 1/8	25	39 3/4	5 5/8	4	4	2 1/2	
6639	Surface Mounted	27 3/16	41 15/16	8 1/2	27 3/8	42 1/8	-	-	-	Upon Request			HOSE RACK & FD VALVE OR EXTINGUISHER: 1-1/2" OR 2-1/2" Valve; 50' or 75' Hose Rack Unit Plus FD Valve or Cosmic or Galaxy Extinguisher
6335	Flat Trim 3/8"	30	30	8	33 3/8	33 3/8	31	31	7 7/8	4	4	2 1/2	
6336	1 1/4" Square Edge	30	30	8	33 3/8	33 3/8	31	31	6 7/8	4	4	2 1/2	
6337	2 1/2" Rolled Edge	30	30	8	33 3/8	33 3/8	31	31	5 5/8	4	4	2 1/2	Upon Request
6339	Surface Mounted	33 3/16	33 3/16	8 1/2	33 3/8	33 3/8	-	-	-	Upon Request			
6535	Flat Trim 3/8"	32 3/4	34 3/4	8	36 1/8	38 1/8	33 3/4	35 3/4	7 7/8	4	4	2 1/2	
6536	1 1/4" Square Edge	32 3/4	34 3/4	8	36 1/8	38 1/8	33 3/4	35 3/4	6 7/8	4	4	2 1/2	HOSE RACK & FD VALVE OR EXTINGUISHER: 1-1/2" OR 2-1/2" Valve; 100' Hose Rack Unit Plus FD Valve or Cosmic or Galaxy Extinguisher
6537	2 1/2" Rolled Edge	32 3/4	34 3/4	8	36 1/8	38 1/8	33 3/4	35 3/4	5 5/8	4	4	2 1/2	
6539	Surface Mounted	35 15/16	37 15/16	8 1/2	36 1/8	38 1/8	-	-	-	Upon Request			
7235	Flat Trim 3/8"	32 3/4	38 3/4	8	36 1/8	42 1/8	33 3/4	39 3/4	7 7/8	4	4	2 1/2	HOSE RACK & FD VALVE OR EXTINGUISHER: 1-1/2" OR 2-1/2" Valve; 125' Hose Rack Unit Plus FD Valve or Cosmic or Galaxy Extinguisher
7236	1 1/4" Square Edge	32 3/4	38 3/4	8	36 1/8	42 1/8	33 3/4	39 3/4	6 7/8	4	4	2 1/2	
7237	2 1/2" Rolled Edge	32 3/4	38 3/4	8	36 1/8	42 1/8	33 3/4	39 3/4	5 5/8	4	4	2 1/2	
7239	Surface Mounted	35 15/16	41 15/16	8 1/2	36 1/8	42 1/8	-	-	-	Upon Request			
Cabinets for Fire Department Valves													
8535	Flat Trim 3/8"	18	18	8	21 3/8	21 3/8	19	19	7 7/8	4	9	2 1/2	FIRE DEPARTMENT VALVE: 1-1/2" or 2-1/2" Fire Department Valve with Cap and Chain
8536	1 1/4" Square Edge	18	18	8	21 3/8	21 3/8	19	19	6 7/8	4	9	2 1/2	
8537	2 1/2" Rolled Edge	18	18	8	21 3/8	21 3/8	19	19	5 5/8	4	9	2 1/2	
8539	Surface Mounted	21 3/16	21 3/16	8 1/2	21 3/8	21 3/8	-	-	-	Upon Request			DUAL SIDE BY SIDE FD VALVES & EXTINGUISHER OR 2 FD VALVES: 1-1/2" or 2-1/2" with Cap and Chain Plus Extinguisher - Cosmic & Galaxy 2-1/2 to 0
8435	Flat Trim 3/8"	18	18	10	21 3/8	21 3/8	19	19	9 7/8	5	9	5	
8436	1 1/4" Square Edge	18	18	10	21 3/8	21 3/8	19	19	8 7/8	5	9	5	
8437	2 1/2" Rolled Edge	18	18	10	21 3/8	21 3/8	19	19	7 5/8	5	9	5	Upon Request
8439	Surface Mounted	21 3/16	21 3/16	10 1/2	21 3/8	21 3/8	-	-	-	Upon Request			
8735	Flat Trim 3/8"	26	26	8	29 3/8	29 3/8	27	27	7 7/8	4	13	2 1/2	
8736	1 1/4" Square Edge	26	26	8	29 3/8	29 3/8	27	27	6 7/8	4	13	2 1/2	Upon Request
8737	2 1/2" Rolled Edge	26	26	8	29 3/8	29 3/8	27	27	5 5/8	4	13	2 1/2	
8739	Surface Mounted	29 3/16	29 3/16	8 1/2	29 3/8	29 3/8	-	-	-	Upon Request			
8635	Flat Trim 3/8"	26	26	10	29 3/8	29 3/8	27	27	7 7/8	5	13	5	DUAL EXTINGUISHER & FD VALVE CABINET WITH SHELF: Shelf is 12" from bottom. Cosmic or Galaxy Extinguisher
8636	1 1/4" Square Edge	26	26	10	29 3/8	29 3/8	27	27	8 7/8	5	13	5	
8637	2 1/2" Rolled Edge	26	26	10	29 3/8	29 3/8	27	27	7 5/8	5	13	5	
8639	Surface Mounted	29 3/16	29 3/16	10 1/2	29 3/8	29 3/8	-	-	-	Upon Request			
8035	Flat Trim 3/8"	16	40	9	19 3/8	43 3/8	17	41	8 7/8	4 1/4	6	4 1/4	Upon Request
8036	1 1/4" Square Edge	16	40	9	19 3/8	43 3/8	17	41	8 1/8	4 1/4	6	4 1/4	
8037	2 1/2" Rolled Edge	16	40	9	19 3/8	43 3/8	17	41	6 5/8	4 1/4	6	4 1/4	
8039	Surface Mounted	19 3/16	43 3/16	9 1/2	19 3/8	43 3/8	-	-	-	Upon Request			

Cabinets 4" or less Projection in Blue color above.