



SUBMITTAL/TECHNICAL DATA SHEET

DESCRIPTIONS

The Embassy Series is a Decorative, Trimless, Recessed Cabinet Suitable for the Most Upscale Application in our Finest Finishes of Brass, Bronze, Stainless Steel, Aluminum or Painted Steel. All Models Comply with ADA Projection Requirements.

SPECIFICATIONS

DOOR AND TRIM CONSTRUCTION:
The 7/8" thick formed cabinet doors are available in #4 satin stainless steel, US10 satin bronze, US3 polished brass, #180 clear anodized aluminum or powder-coated white steel. Doors feature two concealed hinges at top & bottom of door, and roller catch. "V" and "S21" doors can be opened from the bottom of the cabinet using the concealed ABS cup handle in the door. "W" or "L22" door styles have a zinc-plated pull (painted to match brass, color anodized, US10B or bronze finishes) installed approximately 3/4" above lock which is centered top to bottom on the door (no concealed pull). L24 doors have no pull, and are opened by key only

TUB: The tub is constructed of cold rolled steel with white powder-coat finish standard. Tub forms a 1" flange to cover cut edges of wallboard material. 5900 has shelf 12" from bottom.

KNOCKOUTS: Models designed for use with Fire Department Valves & Hose Racks - 5500: 2 KO's centered on tub, one on each side, or 9" from top, 4" from back. 5800: 2 KO's on left side only, 4" from top and 4" from bottom, 4" from back. 5900: 2 KO's, on each side, 6" from bottom, 4-1/4" from back. 5900 available without shelf to allow for lower mounting height of piping to meet NFPA10 and ADA.



SKU: **FSE-JLEM**

FIRE EXTINGUISHER

VALVE & HOSE RACK CABINETS

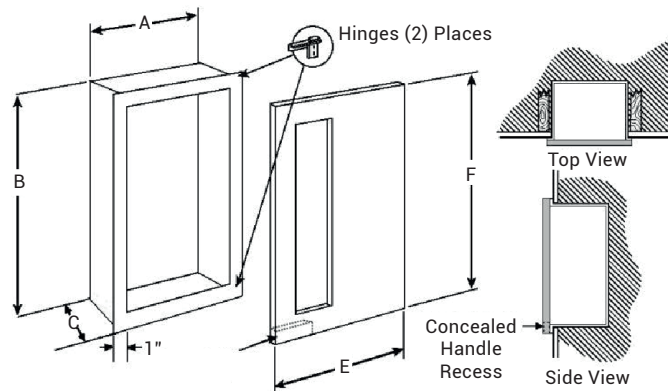
5654V10
Brass With
Concealed Pull



5614W10 Steel with
Pull Handle and
Saf-T-Lok

DIMENSIONS AND APPEARANCE

>> CLICK TO VIEW ADDITIONAL DETAILS AND PRICING <<



5634S21
Stainless Steel



5744S21
Bronze

STEEL	ALUM- INUM	STAINL. STEEL	US 10 BRONZE	US 10B BRONZE	US 3 BRASS	A	B	C	E	F	W	H	D	RECOMMENDED HOSE, RACK AND EXTINGUISHER
FIRE EXTINGUISHER CABINETS														
5614	5624	5634	5644	5684	5654	10-1/2"	24"	5-3/4"	12-3/4"	26-1/4"	11-1/2"	25"	5%	Cosmic & Galaxy 2.5-10 Sentinel 5, Mercury 2.5-5
5714	5724	5734	5744	5784	5754	16"	32"	7-3/4"	18-1/4"	34-1/4"	17"	33"	7%	Any **Cosmic, **Galaxy, Mercury, Saturn, Nebula or Grenadier P, Sentinel 5-15,
FIRE DEPARTMENT VALVE, HOSE & EXTINGUISHER CABINETS														
5514	5524	5534	5544	5584	5554	18"	18"	7-3/4"	20-1/4"	20-1/4"	19"	19"	7%	1-1/2" or 2-1/2" Fire Department Valve. *Left & Right K.O.'s Centered One on each Side or 9" from top, 4" from Bottom & Back.
5814	5824	5834	-	-	-	32"	32"	7-3/4"	34-1/4"	34-1/4"	33"	33"	7%	1-1/2" or 2-1/2" Rack Unit & 2-1/2" Fire Dept Valve or Extinguisher. *2 Left Side K.O.'s 4" from back, top & bottom. Shelf located 12" Above Bottom
5914	5924	5934	5944	5984	5954	16"	40"	8-3/4"	18-1/4"	42-1/4"	17"	41"	8%	2-1/2" Fire Dept. Valve & Fire Extinguisher. Any Cosmic, Galaxy, Mercury, Saturn or Grenadier P, Sentinel 5-10, Nebula 270 *Left & Right K.O.'s 6" from Bottom & 4-1/4" from Back. Shelf Located 12" From Bottom

**Cosmic & Galaxy 20 must be mounted on the back of the cabinet tub. * Knockouts Not Available on Stainless Tubs
ADA Cabinet Mounting Height: Standard Pull on W or L22 Door Styles with Saf-T-Lok are 3 5/8" Higher than Door Center, so Allow for that When Mounting Cabinet. Standard Pull with No Lock are Centered on Door.

For a complete list of options visit
www.FireSafetyEquipment.com

PROJECT DATA

Custom Sizes Available - Fast!

Scan or Click



To view Pricing and
Additional Product Info.

PROJECT NAME :	QTY	W	H	OPTIONS
ARCHITECT :				
DEALER :				
CONTRACTOR :				
LOCATION :	SPECIAL INSTRUCTIONS :			
DATE :				
TAGGING INSTRUCTIONS :	SUBMITTAL APPROVAL : (signature or stamp)			

TELEPHONE:
1-888-441-4469
FAX:
1-888-828-6021



PO BOX 7775 PMB 76520,
SAN FRANCISCO,
CALIFORNIA 94120-7775
US



WEBSITE:
www.FireSafetyEquipment.com

E-MAIL:
info@FireSafetyEquipment.com