



SUBMITTAL/TECHNICAL DATA SHEET

DESCRIPTIONS

The Panorama Cabinet Features a Frameless Acrylic Door of Clear or Opaque Textured Acrylic with Many Lettering Options.

SPECIFICATIONS

DOOR AND TRIM CONSTRUCTION: Flush acrylic cabinet doors are attached by a continuous hinge and equipped with zinc-plated handle and roller catch. 1-3/4" steel trim on cabinet has white powder coat finish.

TRIM STYLE & DEPTH: Recessed 3/8" flat trim, Semi Recessed - 1-1/4", 1-1/2" Square Edge or 2-1/2", 3", 4", 4-1/2" Rolled Edge (4" has recessed pull). Surfacemount models have a square edge or optional rolled edge upon request.

TUB: The tub is constructed of cold rolled steel with white powder-coat finish standard.

FIRE-RATED OPTION AVAILABLE: Yes

SKU: **FSE-JLPA**

STEEL FIRE EXTINGUISHER CABINETS

1012P48
4" Rolled Trim
Semi-Recessed
With Standard
Flush Pull

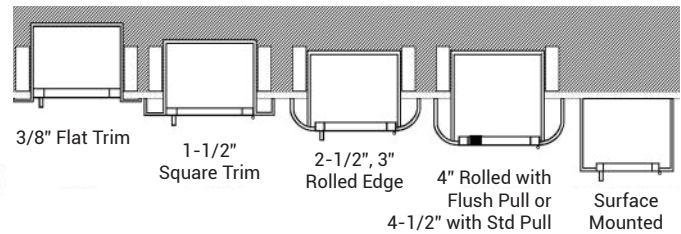
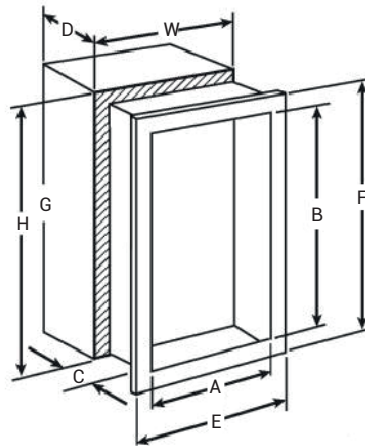


1817Q51
3" Rolled Trim
Semi-Recessed

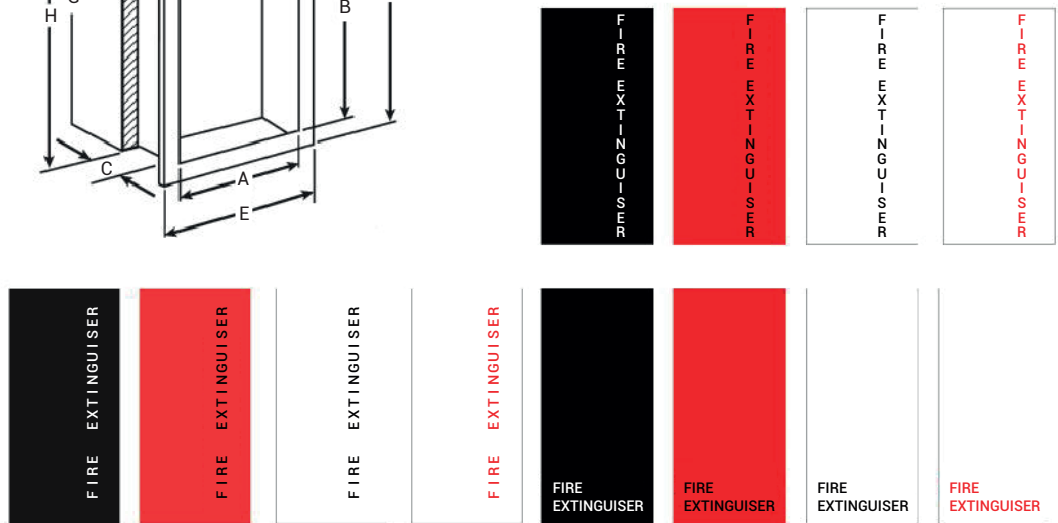
DIMENSIONS AND APPEARANCE

>> CLICK TO VIEW ADDITIONAL DETAILS AND PRICING <<

EXPLODED TOP AND SIDE VIEWS
Refer to dimensionstable



PANORAMA "P" & "Q" DOOR GLAZING STYLES



For detailed specifications see submittal sheet

PROJECT DATA

Custom Sizes Available - Fast!

Scan or Click



To view Pricing and Additional Product Info.

PROJECT NAME :	QTY	W	H	OPTIONS
ARCHITECT :				
DEALER :				
CONTRACTOR :				
LOCATION :	SPECIAL INSTRUCTIONS :			
DATE :				
TAGGING INSTRUCTIONS :	SUBMITTAL APPROVAL : (signature or stamp)			

TELEPHONE:
1-888-441-4469
FAX:
1-888-828-6021



PO BOX 7775 PMB 76520,
SAN FRANCISCO,
CALIFORNIA 94120-7775
US



WEBSITE:
www.FireSafetyEquipment.com

E-MAIL:
info@FireSafetyEquipment.com



SUBMITTAL

TELEPHONE:
1-888-441-4469
FAX:
1-888-828-6021

PO BOX 7775 PMB 76520,
SAN FRANCISCO,
CALIFORNIA 94120-7775
US

WEBSITE:
www.FireSafetyEquipment.com
E-MAIL:
info@FireSafetyEquipment.com

FSE-JLPA

PANORAMA STEEL FIRE EXTINGUISHER CABINETS

TRIM & DOOR SERIES #		TUB I.D.			FRAME O.D.		WALL OPENING			FIRE EXTINGUISHERS
MODEL	TRIM STYLE	A	B	C	E	F	W	H	D	
8115	Flat Trim *	9	18	5 1/2	12 3/8	21 3/8	10	19	5 3/8	Cosmic & Galaxy 2 1/2-6 (6 lb must be mounted on tub) Mercury 2 1/2-5
8116	1 1/2 Square *	9	18	5 1/2	12 3/8	21 3/8	10	19	4 1/8	
8117	2 1/2 Rolled *	9	18	5 1/2	12 3/8	21 3/8	10	19	3 1/8	
8113	Surf. Mtd Square	12 3/16	21 3/16	6	12 3/8	21 3/8	-	-	-	Cosmic & Galaxy 2 1/2-6(6 lb must be mounted on tub) Mercury 2 1/2-5
1815	Flat Trim *	10 1/2	24	5 1/2	13 3/8	27 3/8	11 1/2	25	5 3/8	
1816	1 1/2 Square *	10 1/2	24	5 1/2	13 3/8	27 3/8	11 1/2	25	4 1/8	
1817	3 Rolled *	10 1/2	24	5 1/2	13 3/8	27 3/8	11 1/2	25	2 5/8	
1812	4 Rolled#(P or Q *)	10 1/2	24	5 1/2	13 3/8	27 3/8	11 1/2	25	1 7/8	
1818	4 1/2 Rolled	10 1/2	24	5 1/2	13 3/8	27 3/8	11 1/2	25	1 1/8	
1015	Flat Trim *	10 1/2	24	6	13 3/8	27 3/8	11 1/2	25	5 7/8	Cosmic & Galaxy 2 1/2-10 Mercury 2 1/2-5, Sentinel 5
1016	1 1/2 Square *	10 1/2	24	6	13 3/8	27 3/8	11 1/2	25	4 5/8	
1017	3 Rolled *	10 1/2	24	6	13 3/8	27 3/8	11 1/2	25	3 1/8	
1012	4 Rolled#(P or Q *)	10 1/2	24	6	13 3/8	27 3/8	11 1/2	25	2 3/8	
1018	4 1/2 Rolled	10 1/2	24	6	13 3/8	27 3/8	11 1/2	25	1 5/8	
1013	Surf Mtd. Square	13 11/16	27 3/16	6 1/2	13 3/8	27 3/8	-	-	-	
2015	Flat Trim *	12	27	7 3/4	15 3/8	30 3/8	13	28	7 5/8	Any Cosmic, Galaxy, Mercury, Saturn or Grenadier P (20 lb must be mounted on back of tub), Sentinel 5 & 10, Nebula 270
2016	1 1/4 Square *	12	27	7 3/4	15 3/8	30 3/8	13	28	6 5/8	
2017	2 1/2 Rolled *	12	27	7 3/4	15 3/8	30 3/8	13	28	5 3/8	
2012	4 Rolled#(P or Q *)	12	27	7 3/4	15 3/8	30 3/8	13	28	4 1/8	
2018	4 1/2 Rolled	12	27	7 3/4	15 3/8	30 3/8	13	28	3 3/8	
2013	Surf Mtd. Square	15 3/16	30 3/16	8 1/4	15 3/8	30 3/8	-	-	-	
3015	Flat Trim *	16	32	7 3/4	19 3/8	35 3/8	17	33	7 5/8	Any Cosmic, Galaxy, Mercury, Saturn or Grenadier (20 lb must be mounted on back of tub), Sentinel 5-15, Nebula 250, 270 or 272
3016	1 1/4 Square *	16	32	7 3/4	19 3/8	35 3/8	17	33	6 5/8	
3017	2 1/2 Rolled *	16	32	7 3/4	19 3/8	35 3/8	17	33	5 3/8	
3012	4 Rolled#(P or Q *)	16	32	7 3/4	19 3/8	35 3/8	17	33	4 1/8	
3018	4 1/2 Rolled	16	32	7 3/4	19 3/8	35 3/8	17	33	3 3/8	
3013	Surf Mtd. Square	19 3/16	35 3/16	8 1/4	19 3/8	35 3/8	-	-	-	
4015	Flat Trim *	20	27	7 3/4	23 3/8	30 3/8	21	28	7 5/8	Two each of: any Cosmic, Galaxy, Mercury, Saturn or Grenadier P (20 lb must be mounted on back of tub), Sentinel. Single Nebula 270
4016	1 1/4 Square *	20	27	7 3/4	23 3/8	30 3/8	21	28	6 5/8	
4017	2 1/2 Rolled *	20	27	7 3/4	23 3/8	30 3/8	21	28	5 3/8	
4012	4 Rolled#(P or Q *)	20	27	7 3/4	23 3/8	30 3/8	21	28	4 1/8	
4018	4 1/2 Rolled	20	27	7 3/4	23 3/8	30 3/8	21	28	3 3/8	
4013	Surf Mtd. Square	23 3/16	30 3/16	8 1/4	23 3/8	30 3/8	-	-	-	

Models shown in **Bold** above are available in several door styles for Quick Shipment. See current Stock List.

4" Rolled models have recessed pull for P and Q Doors and standard pull for C Styles

* Cabinets that Meet 4" Maximum ADA Projection Requirement