

SPECIFICATIONS

BOX: Cold rolled steel with an electrostatically applied, thermally fused polyester coating with recoatable white finish, and a continuous hinge.

DOOR AND FRAME:

Model 7307-7327:
Steel - Cold rolled steel with recoatable white polyester finish.

Model 7337-7347:
Aluminum - Clear anodized finish.

Model 7357-7367:
Stainless Steel - #304 Stainless steel with #4 finish

Model 7377-7387:
Brass - Polished finish, clear polyester coated.

SKU: **FSE-LOMA**

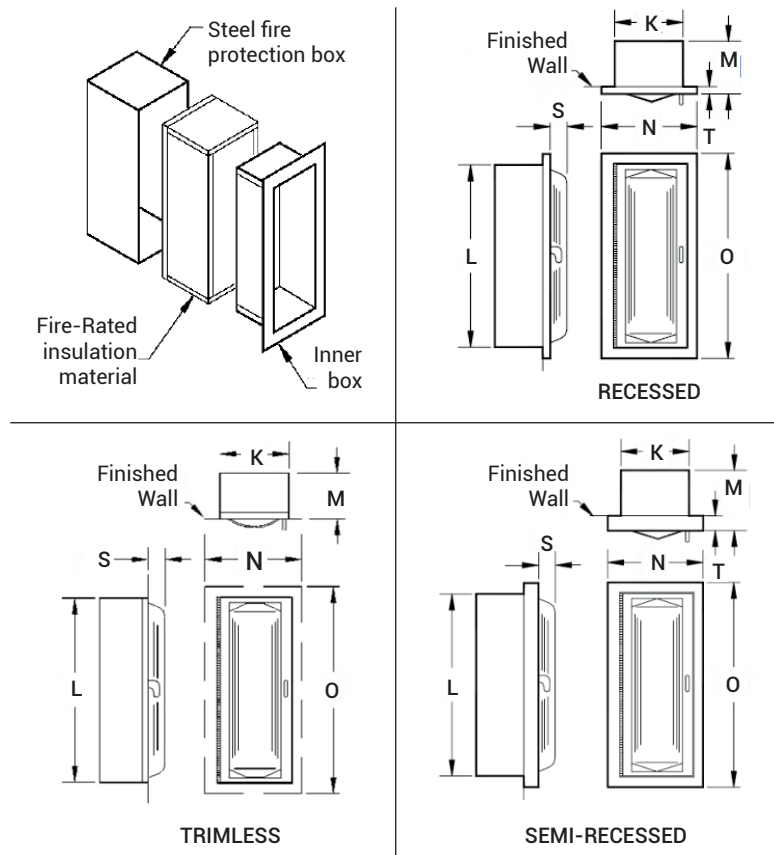
FIRE EXTINGUISHER CABINETS

FIRE RATED UL CLASSIFIED



■ DIMENSIONS AND APPEARANCE

>> CLICK TO VIEW ADDITIONAL DETAILS AND PRICING <<



For detailed informations see submittal sheet

For a complete list of options visit www.FireSafetyEquipment.com

■ PROJECT DATA

Custom Sizes Available - Fast!

Scan or Click



To view Pricing and Additional Product Info.

PROJECT NAME :	QTY	W	H	OPTIONS
ARCHITECT :				
DEALER :				
CONTRACTOR :				
LOCATION :	SPECIAL INSTRUCTIONS :			
DATE :				
TAGGING INSTRUCTIONS :	SUBMITTAL APPROVAL : (signature or stamp)			

TELEPHONE:
1-888-441-4469
FAX:
1-888-828-6021



PO BOX 7775 PMB 76520,
SAN FRANCISCO,
CALIFORNIA 94120-7775
US



WEBSITE:
www.FireSafetyEquipment.com

E-MAIL:
info@FireSafetyEquipment.com

FSE-LOMA

FIRE EXTINGUISHER CABINETS

MODEL SELECTION:

STEEL

- FRC7307 Recessed
- FRC7308 Semi-Recessed
- FRC7320 Recessed
- FRC7321 Trimless
- FRC7322 Semi-Recessed
- FRC7325 Recessed
- FRC7326 Trimless
- FRC7327 Semi-Recessed

ALUMINUM

- FRC7337 Recessed
- FRC7338 Semi-Recessed
- FRC7340 Recessed
- FRC7341 Trimless
- FRC7342 Semi-Recessed
- FRC7345 Recessed
- FRC7346 Trimless
- FRC7347 Semi-Recessed

MODEL SELECTION (cont):

STAINLESS STEEL

- FRC7357 Recessed
- FRC7358 Semi-Recessed
- FRC7360 Recessed
- FRC7361 Trimless
- FRC7362 Semi-Recessed
- FRC7365 Recessed
- FRC7366 Trimless
- FRC7367 Semi-Recessed

BRASS

- FRC7377 Recessed
- FRC7378 Semi-Recessed
- FRC7380 Recessed
- FRC7381 Trimless
- FRC7382 Semi-Recessed
- FRC7385 Recessed
- FRC7386 Trimless
- FRC7387 Semi-Recessed

PRODUCT OPTIONS

DOOR STYLE:

- BA - Full Bubble w/ Lever Handle & Cam Latch
- BB - Break-Glass, w/lock & Break Rite® Handle

BUBBLE COLOR:

- 6 - Clear
- 7 - Bronze
- 9 - Smoke

OPTIONAL FINISHES TO DOOR AND FRAME ABOVE:


- STEEL : Any polyester paint color, if available; Provide mfg. name and color number
- ALUMINUM : Light, Medium or Dark duranodic
- STAINLESS STEEL : Number 304 Stainless, with #8 mirror finish
- BRONZE : U.S. # 10 Satin finish with clear coating, or dark oxidized, oil rubbed; specify
- RED : For Red Polyester Finish, Add This Suffix
- RR : For Rolled Radius Return, Add This Suffix
- CUSTOMER COLOR : _____(Specify)

PRODUCT OPTIONS (cont):

FIRE EXTINGUISHER LETTERING:

- VW - Vertical White
- VB - Vertical Black
- VR - Vertical Red
- VAW - Vertical Ascending White
- VAB - Vertical Ascending Black
- VAR - Vertical Ascending Red

MODEL DIMENSIONS:

Model No.				Wall Mounting	Inside Box Dimensions			Overall Frame		Wall Opening Required			Trim	For Use With These Extinguishers	ADA 
Steel	Aluminum	Stainless Steel	Brass		K	L	M	N	O	W I D T H	H E I G H T	D E P T H			
FRC7307	FRC7337	FRC7357	FRC7377	RECESSED	9	18	4	11-3/4	20-3/4	11-1/4	20	4-5/8	1/2	3002, 3005, 3005-3, 3302, 3305, 3305-3	YES
FRC7308	FRC7338	FRC7358	FRC7378	SEMI-RECESSED	9	18	4	11-3/4	20-3/4	11-1/4	20	3-1/8	2		YES
FRC7320	FRC7340	FRC7360	FRC7380	RECESSED	9	24	4	11-3/4	26-3/4	11-1/4	26	4-5/8	1/2	3002, 3005, 3005-3, 3006, 3010, 3302, 3305, 3305-3, 3306, 3310	YES
FRC7321	FRC7341	FRC7361	FRC7381	TRIMLESS	9	24	4-1/2	11-3/4	27-3/4	11-1/4	26	5-5/8	-		YES
FRC7322	FRC7342	FRC7362	FRC7382	SEMI-RECESSED	9	24	4	11-3/4	26-3/4	11-1/4	26	3-1/8	2		YES
FRC7325	FRC7345	FRC7365	FRC7385	RECESSED	12	27	4-3/4	14-1/2	29-1/2	14-1/4	29	5-3/8	1/2	3020, 3202, 3320, 3410	YES
FRC7326	FRC7346	FRC7366	FRC7386	TRIMLESS	12	27	5-1/4	14-1/2	30-1/2	14-1/4	29	6-3/8	-		YES
FRC7327	FRC7347	FRC7367	FRC7387	SEMI-RECESSED	12	27	4-3/4	14-1/2	29-1/2	14-1/4	29	2-7/8	3		YES

ALL DIMENSIONS ARE IN INCHES UNLESS OTHERWISE NOTED