



Quality Access Doors - FAST!

# SUBMITTAL/TECHNICAL DATA SHEET

## STANDARD OPTIONS

- MATERIAL:**  
16 gauge cold rolled steel frame and 20 gauge galvalneal steel door
- INSULATION:**  
Mineral wool
- HINGE:**  
Continuous piano hinge
- LOCK / LATCH:**  
Self latching tool-key operated slam latch and/or ring operated slam latch, both included
- INSIDE PANEL RELEASE:**  
Standard on all doors over 12" x 12"
- AUTOMATIC PANEL CLOSER:**  
Standard on all doors
- FINISH:**  
High quality white powder coat primer
- PACKAGING:**  
Individually wrapped, 1 per box

## OPTIONS AVAILABLE

- LOCK / LATCH:**
- Mortise deadbolt lock
  - Hex head slam latch
  - Handle operated slam latch
  - Mortise preparation for cylinder (Cylinder optional)
- MATERIAL:**  
Stainless steel #4 (brushed finish)
- MASONRY ANCHOR:**  
Available on all sizes

Fire Rating information on Page 2

For a complete list of options visit [www.FireSafetyEquipment.com](http://www.FireSafetyEquipment.com)

Scan or Click



To view Pricing and Additional Product Info.

**LEED READY: THIS PRODUCT CONTRIBUTES TO LEED® CREDITS**



SKU: **FSE-PFI-GYP**

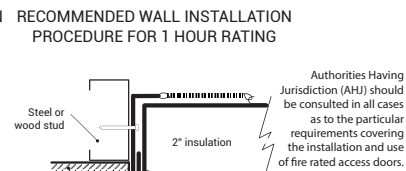
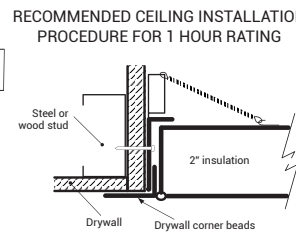
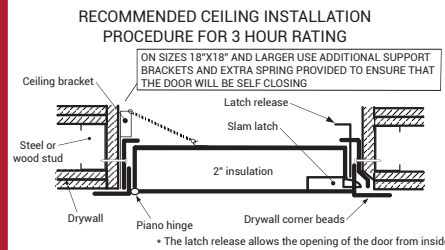
## FIRE RATED INSULATED ACCESS DOOR

WITH DRYWALL FLANGE



## INSTALLATION

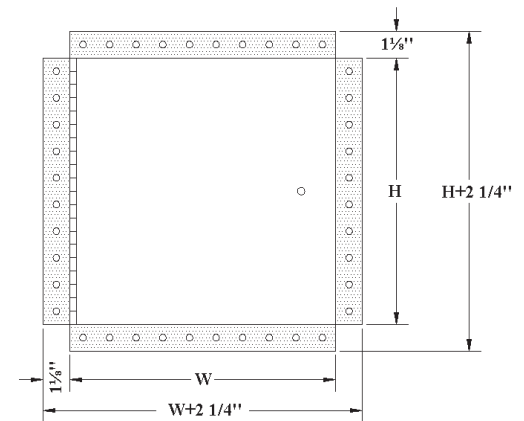
>> [CLICK TO VIEW ADDITIONAL DETAILS AND PRICING <<](#)



## DIMENSIONS AND APPEARANCE

### STANDARD SIZES:

DOOR SIZE W x H inches (MM)	NUMBER OF LOCKS	WEIGHT	
		LBS	KG
8 x 8 (203 x 203)	1	7	3.2
10 x 10 (254 x 254)	1	8	3.6
12 x 12 (304 x 304)	1	10	4.5
14 x 14 (355 x 355)	1	12	5.4
16 x 16 (406 x 406)	1	14	6.4
18 x 18 (457 x 457)	1	17	7.7
22 x 22 (558 x 558)	1	24	10.9
22 x 30 (558 x 762)	1	31	14.1
22 x 36 (558 x 914)	2	38	17.2
24 x 24 (609 x 609)	1	29	13.2
24 x 36 (609 x 914)	2	36	16.4
* 24 x 48 (609 x 1219)	2	47	21.3
* 30 x 30 (762 x 762)	1	40	18.1
* 32 x 32 (812 x 812)	2	44	20
* 36 x 36 (914 x 914)	2	53	24
* 48 x 48 (1219 x 1219)	2	83	37.7



ROUGH WALL OPENING IS DOOR SIZE + 1/4" OR + 6MM  
\*NOT AVAILABLE FOR CEILING RATING (MAXIMUM 24"x36")

## PROJECT DATA

Custom Sizes Available - Fast!

PROJECT NAME :	QTY	W	H	OPTIONS
ARCHITECT :				
DEALER :				
CONTRACTOR :				
LOCATION :	SPECIAL INSTRUCTIONS :			
DATE :				
TAGGING INSTRUCTIONS :	SUBMITTAL APPROVAL : (signature or stamp)			



TELEPHONE:  
1-888-441-4469  
FAX:  
1-888-828-6021



PO BOX 7775 PMB 76520,  
SAN FRANCISCO,  
CALIFORNIA 94120-7775  
US



WEBSITE:  
[www.FireSafetyEquipment.com](http://www.FireSafetyEquipment.com)  
E-MAIL:  
[info@FireSafetyEquipment.com](mailto:info@FireSafetyEquipment.com)

## ■ FIRE RATING

**FIRE RATED ACCESS DOORS, FOR VERTICAL USE, ARE SUBJECT TO THE FOLLOWING:**

**VERTICAL WALL ASSEMBLIES**

Fire rated access doors, for vertical use, are subject to the following:

**CERTIFICATION**

UL 10B (2009), NFPA 252 (2012), CAN/ULC S104 (2010).

**RATING ACHIEVED**

3 hours, neutral/negative pressure

**MAXIMUM SIZE**

48" x 48" (1219mm x 1219mm), maximum area of 2304 in<sup>2</sup>, tolerance on height and width limitation is more or less 3" (76mm) as long as the area does not exceed 2304 in<sup>2</sup>.

**TEMPERATURE RISE**

250°F (121°C) after 30 minutes and 450°F (232°C) after 60 minutes.

**FIRE RATED ACCESS DOORS, FOR HORIZONTAL USE, ARE SUBJECT TO THE FOLLOWING:**

**HORIZONTAL CEILING ASSEMBLIES**

Fire rated access doors, for horizontal use, are subject to the following:

**CERTIFICATION**

ASTM E119 (2012), CAN/ULC S101 (2007)

**RATING ACHIEVED**

3 hours in non-combustible construction and 1 hour in combustible construction

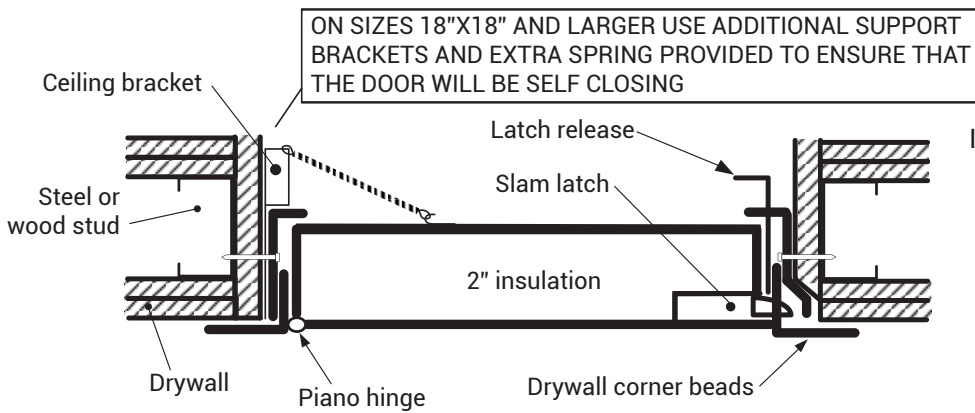
**MAXIMUM SIZE**

24"X36" (610 mm X 914 mm) (hinges and latches on the side of 36"), tolerance on dimension limitations are more or less 3" (76 mm) as long as the area does not exceed 864 in<sup>2</sup>.

**TEMPERATURE RISE**

Within allowable per ASTM E119 and CAN/ULC S101

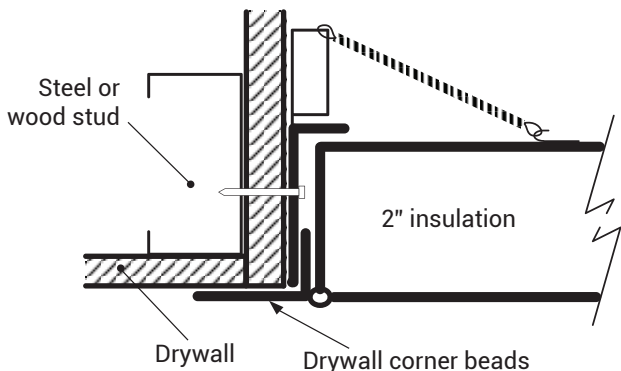
## ■ INSTALLATION: WALLS AND CEILINGS



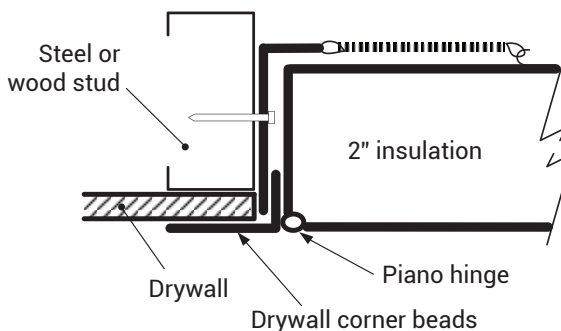
**RECOMMENDED CEILING INSTALLATION PROCEDURE FOR 3 HOUR RATING**

\* The latch release allows the opening of the door from inside

**RECOMMENDED CEILING INSTALLATION PROCEDURE FOR 1 HOUR RATING**



**RECOMMENDED WALL INSTALLATION PROCEDURE FOR 1 HOUR RATING**



Authorities Having Jurisdiction (AHJ) should be consulted in all cases as to the particular requirements covering the installation and use of fire rated access doors.

TELEPHONE:

1-888-441-4469

FAX:

1-888-828-6021

PO BOX 7775 PMB 76520,  
SAN FRANCISCO  
CALIFORNIA 94120-7775  
US

WEBSITE:

www.FireSafetyEquipment.com

E-MAIL:

info@FireSafetyEquipment.com